

Installation Guide

FPD-SE Video Interface ROM Upgrade Kit

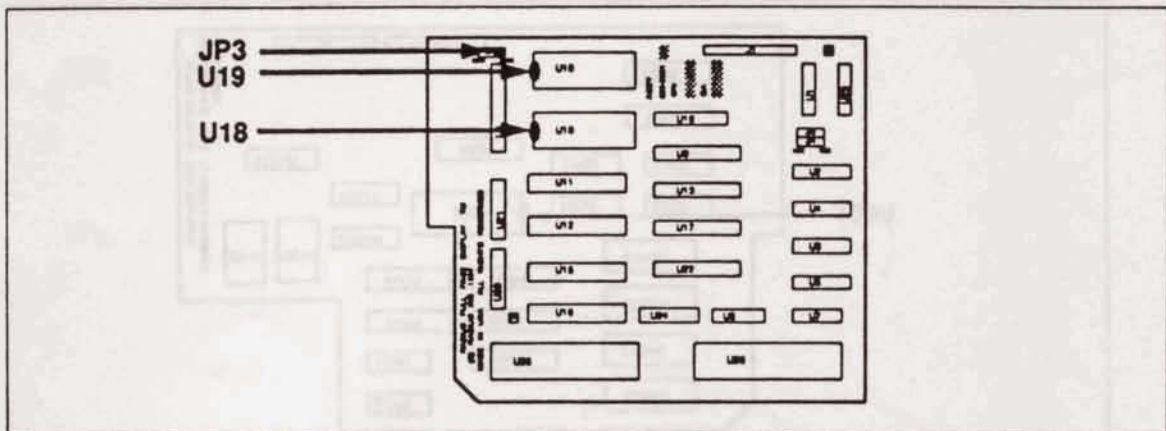
radius

This guide covers installation of the Software Interface Kit and does not cover installation and removal of the Radius board; see the appropriate installation guide for specific installation instructions.

This installation kit contains a packing list. Check the materials in the kit against the packing list; immediately notify Radius Customer Support at (408) 434-1012 if something is missing.

WARNING:

This is not an end-user installation. You must be an Apple Level 1 Certified technician or you will invalidate both the Apple Macintosh and Radius warranties. This installation covers the installation of ROMs printed circuit board assembly 630-5001. If you are upgrading assembly 632-0075 please refer to installation instructions on the opposite side.



Install the upgrade as follows:

1. Attach the wrist grounding strap from the metal chassis of the Macintosh to yourself. A disposable strap has been provided for your convenience.
2. Remove the ROMs out of the sockets at positions U18 and U19 using a chip extractor or a flat blade screwdriver. Note the address and orientation of each component before removing.
3. Install the new ROMs into the appropriate sockets, U18 and U19. Each component is labelled with the socket address. Use caution to orient the notched side of the component to match the orientation as indicated by the silk screen on the board. Notice the jumper at position JP3. In order to accommodate 256K EPROMs, the jumper should be set at the 256K position.
4. Package the old ROMs and return them to Radius in the same package using the RMA return label that has been provided.
5. Re-install the updated System Software by double clicking on the Radius Installer program on the System Software diskette. The diskette contains a "Read Me" file with detailed instructions.

Installation Guide

FPD-SE Video Interface ROM Upgrade Kit

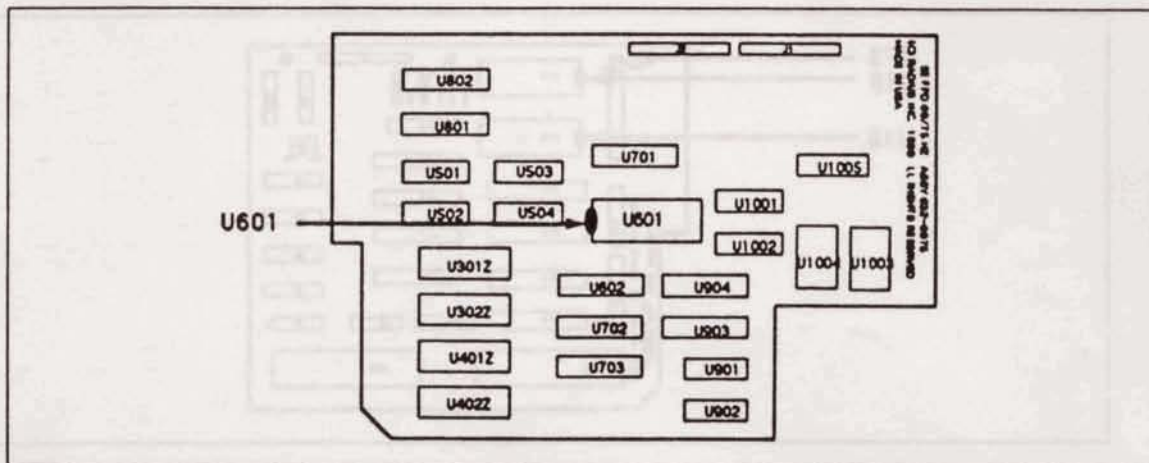
radius

This guide covers installation of the Software Interface Kit and does not cover installation and removal of the Radius board; see the appropriate installation guide for specific installation instructions.

This installation kit contains a packing list. Check the materials in the kit against the packing list; immediately notify Radius Customer Support at (408) 434-1012 if something is missing.

WARNING:

This is not an end-user installation. You must be an Apple Level 1 Certified technician or you will invalidate both the Apple Macintosh and Radius warranties. This installation covers the installation of ROM for printed circuit board assembly 632-0075. If you are upgrading assembly 630-5001 please refer to installation instructions on the opposite side.



Install the upgrade as follows:

1. Attach the wrist grounding strap from the metal chassis of the Macintosh to yourself. A disposable strap has been provided for your convenience.
2. Remove the ROM out of the socket at position U601 using a chip extractor or a flat blade screwdriver. Note the address and orientation of each component before removing.
3. Install the new ROM into the socket, U601. Each component is labelled with the socket address. Use caution to orient the notched side of the component to match the orientation as indicated by the silk screen on the board
4. Package the old ROM and return this to Radius in the same package using the RMA return label that has been provided.
5. Re-install the updated System Software by double clicking on the Radius Installer program on the System Software diskette. The diskette contains a "Read Me" file with detailed instructions.